

FSB2/FSB3 Series Medical Foot Switches

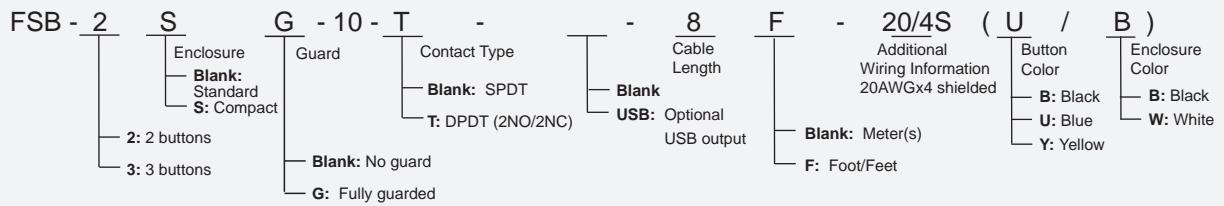
Features

- Ergonomic low profile design
- Compact Enclosure available
- Button available 2 to 3
- Easy to clean
- High mechanical stability
- Soft touch button with light operating force

Specifications

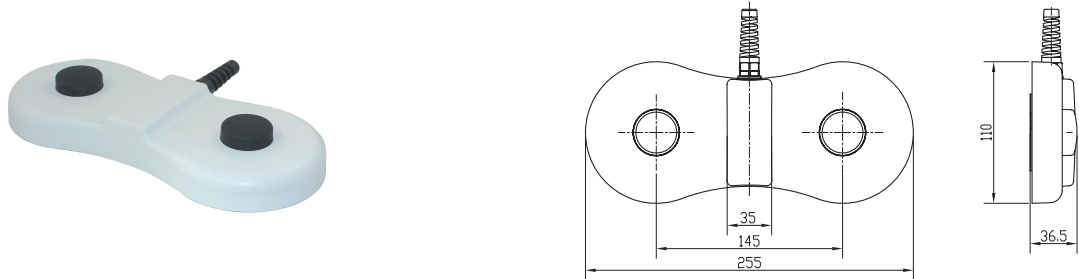
Operating Frequency	60 ops/min
Insulation Resistance	>100MΩ@500V DC
Contact Resistance	<25mΩ (initial)
Rated Current/Voltage	10A, 1/2HP, 125/250VA
Dielectric Strength	1000VAC for 1 min between current carrying parts 2500VAC for 1 min between non-current carrying parts
Service Life	1 x10 ⁶ (operations)
Operating Temperature	-20~+80°C (-4~176°F)
Degree of Protection	IP68 (NEMA 4, 4x, 6, 6P)

Selection Guide:

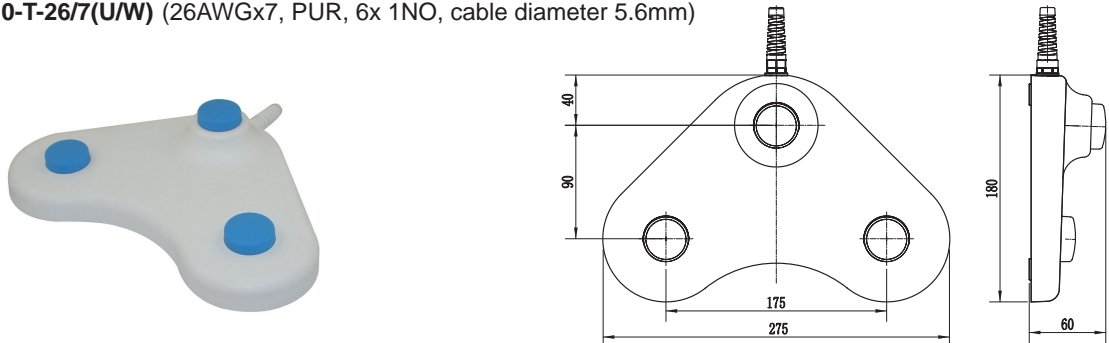


Dimensions:

- FSB-2-10-2-20/4S(B/W)** (20AWGx4, shielded, 2 meters, 2x 1NO, cable diameter 7.0mm)
FSB-2-10-2-22/5S(B/W) (22AWGx5, shielded, 2 meters, 2x 1NO, cable diameter 5.6mm)
FSB-2-10-T-2-22/5S(B/W) (22AWGx5, shielded, 2 meters, 4x 1NO, cable diameter 5.6mm)

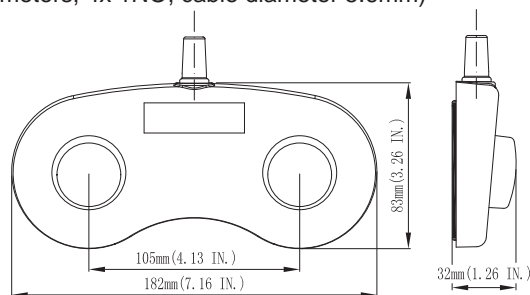


- FSB-3-10-2-20/4S(U/W)** (20AWGx4, shielded, 2 meters, 3x 1NO, cable diameter 7.0mm)
FSB-3-10-2-22/5S(U/W) (22AWGx5, shielded, 2 meters, 3x 1NO, cable diameter 5.6mm)
FSB-3-10-T-26/7(U/W) (26AWGx7, PUR, 6x 1NO, cable diameter 5.6mm)



FSB2/FSB3 Series Medical Foot Switches

FSB-2S-10-2-20/4S(U/B) (20AWGx4, shielded, 2 meters, 2x 1NO, cable diameter 7.0mm)
FSB-2S-10-2-22/5S(U/B) (22AWGx5, shielded, 2 meters, 2x 1NO, cable diameter 5.6mm)
FSB-2S-10-T-2-22/5S(U/B) (22AWGx5, shielded, 2 meters, 4x 1NO, cable diameter 5.6mm)



FSB-3S-10-2-20/4S(U/B) (20AWGx4, shielded, 2 meters, 3x 1NO, cable diameter 7.0mm)
FSB-3S-10-2-22/5S(U/B) (22AWGx5, shielded, 2 meters, 3x 1NO, cable diameter 5.6mm)
FSB-3S-10-T-2-26/7(U/B) (26AWGx7, PUR, 2 meters, 6x 1NO, cable diameter 5.6mm)

